



Doosan Infracore
Construction Equipment

DX80R

Engine power: 40,7 kW / 54,6 Hp at 2.000 rpm
Operational weight: 8.330 kg (rubber shoes)
Bucket capacity (SAE): 0,28 m³



WINCHESTER

01962 851155

SALISBURY

01722 341155

SOUTHAMPTON

02380 667666

Suppliers of Plant & Access Hire Equipment



Technical specifications



* Engine

• Model	Yanmar 4TNV98-ZWDB8
• Number of cylinders / Piston displacement	4 / 3.319 cc
• Nominal flywheel power	40,7 kW (54,6 Hp) at 2.000 rpm (SAE J 1349, net) 40,7 kW (55,3 Ps) at 2.000 rpm (Din 6271)
• Max torque	22,74 ~ 24,76 kgf.m / 1.300 rpm
• Bore & stroke	98 mm x 110 mm
• Alternator	12 V / 60 Ah

* Operator's cab

• Noise Levels (dynamic value)	
LwA External noise	Guaranteed Sound Power Level 98 dB (A) (2000/14/EC)
LpA Operator noise	77 dB (A) (ISO 6396)

* Hydraulic system

• Main pumps	Variable displacement axial piston pump Max flow: 1 x 144 l/min
• Pilot pump	Gear pump - max flow: 22 l/min
• Maximum system pressure	Boom/Arm/Bucket: 300 kgf/cm ² (294 bar) Travel: 280 kgf/cm ² (275 bar) Swing: 220 kgf/cm ² (215 bar)

* Buckets

Capacity (m ³)		Width (mm)		Weight (Kg)	Recommendation	
PCSA heaped	CECE heaped	Without side cutters	With side cutters		3.380 mm Boom 1.700 mm Arm	2.250 mm Arm
0,28 m ³	0,24 m ³	707 mm	812 mm	232 kg	B	B
0,20 m ³	0,18 m ³	540 mm	646 mm	209 kg	A	A

A. Suitable for materials with a density less than or equal to 2,000 kg/m³
B. Suitable for materials with a density less than or equal to 1,600 kg/m³

* Swing mechanism

Swing parking brake is spring-set, hydraulic-released disc type.	
• Swing speed	9,6 rpm
• Rear swing radius	1.298 mm
• Left / Right Swing angle	70° / 55°

* Drive

• Travel speed (high/low)	4,6 / 2,9 km/h
• Traction force	3.600/6.200 kgf
• Maximum grade	30° / 58 %

* Weight

Boom 3.380 mm • Arm 1.700 mm • Bucket SAE 0,28 m³ • Shoe 450 mm

Shoe	Operating weight	Ground pressure
Rubber	8.330 kg	0,39 kgf/cm ²
Steel	8.380 kg	0,39 kgf/cm ²

* Undercarriage

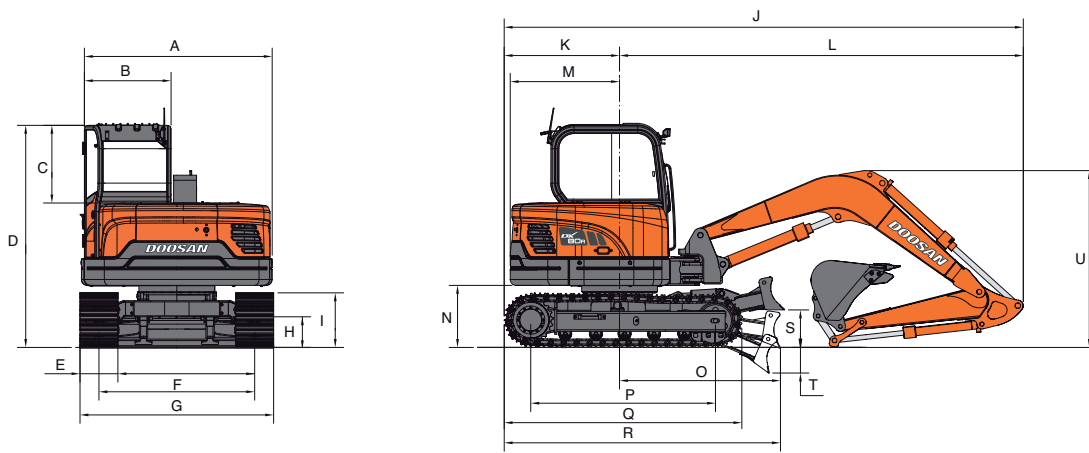
Hydraulic track adjusters with shock-absorbing recoil springs.

Lower rollers (per side)	5
Track shoes	Rubber/steel
Shoe width	450 mm

* Refill capacities

Fuel tank	115 l
Cooling system (radiator capacity)	10 l
Engine oil	11,6 l
Hydraulic system	127 l
Hydraulic tank	73 l
Final drive	1,4 l

Dimensions and working ranges



* Dimensions

Boom		3.380 mm
A. Overall width of upper structure		2.266 mm
B. Cabin width		1.030 mm
D. Overall height		2.638 mm
E. Track shoe width		450 mm
F. Track gauge		1.850 mm
G. Overall track width		2.300 mm
H. Ground clearance		362 mm
I. Track height		648 mm
J. Overall length	1,7 m (std)	6.167 mm
	2,25 m	6.265 mm
M. Tail swing radius		1.298 mm
N. Clearance under counterweight		737 mm
P. Tumbler distance		2.200 mm
Q. Track length		2.823 mm
R. Track to dozer length		3.282 mm
S. Dozer up		446 mm
T. Dozer down		304 mm
U. Boom transport height	1,7 m (std)	2.085 mm
	2,25 m	2.410 mm

* Digging force (ISO)

Bucket (PCSA)	0,28 m³	0,20 m³
Digging force	5.600 kgf 54,9 kN	5.600 kgf 54,9 kN
Arm	1.700 mm	2.250 mm
Digging force	4.200 kgf 41,2 kN	3.500 kgf 34,4 kN

At power boost (ISO)



* Working range

Boom		3.380 mm
Arm		1.700 mm 2.250 mm
Bucket type (SAE)		0,28 m³ 0,20 m³
A Max. digging reach		6.965 mm 7.480 mm
B Max. vertical wall depth		3.220mm 3.730 mm
C Max. digging depth		4.150 mm 4.675 mm
D Max. loading height		4.720 mm 5.085 mm
E Max. digging height		6.715 mm 7.070 mm
F Min. swing radius		2.500 mm 2.700 mm

