

Specifications

Engine

ModEl		YANMAR 4TNV98	
Type		Water cooled, 4 cycle diesel, 4-Cylinders in line, direct injection and low emission	
Rated flywheel horse power	SAE	J1995 (gross)	57 HP (42.5 kW) at 2,400 rpm
		J1349 (net)	55.2 HP (41.2 kW) at 2,400 rpm
	dIN	6271/1 (gross)	57.8 PS (42.5 kW) at 2,400 rpm
		6271/1 (net)	56 PS (41.2 kW) at 2,400 rpm
Max. torque		20.5 kgf·m (148 lbf·ft) at 1,550 rpm	
Bore x stroke		98 mm (3.86") x 110 mm (4.33")	
Piston displacement		3,319 cc (203 cu in)	
Batteries		1 x 12 V x 100 AH	
Starting motor		12 V - 3.0 kW	
Alternator		12 V - 80 Amp	

Hydraulic System

Main Pump	
Type	Two variable displacement piston pumps + gear pump
Max. flow	2 x 57.8 l/min + 36,6 l/min
Sub-pump for pilot circuit	Gear pump

Cross-sensing and fuel saving pump system

Hydraulic Motor

Travel	Two speed axial piston motor with counter balance valve and parking brake
Service Valve Setting	Axial piston motor with automatic brake
Implement circuits	220 kgf/cm ² (3,130 psi)
Travel circuit	220 kgf/cm ² (3,130 psi)
Swing circuit	220 kgf/cm ² (3,130 psi)
Pilot circuit	30 kgf/cm ² (430 psi)
Service valve	Installed

HYDRAULIC CYLINDERS

No. of cylinder bore x stroke	Boom: 1-110 x 715 mm (4.3" x 28.1")
	Arm: 1-85 x 840 mm (3.3" x 33.1")
	Bucket: 1-80 x 660 mm (3.1" x 26.0")
	Boom swing: 1-95 x 519 mm (3.7" x 20.4")
	dozer blade: 1-110 x 224 mm (4.3" x 8.8")

OPERATOR'S CAB

Noise Levels	
outside cabin - 1wA	98 dB
Inside cabin - 1pA	78 dB

Travel System

drive method	full hydrostatic type
drive motor	Axial piston motor, in-shoe design
Reduction system	Planetary reduction gear
Max. drawbar pull	5,300 kgf (11,700 lbf)
Max. travel speed (high) / (low)	4.0 km/hr (2.5 mph) / 2.2 km/hr (1.4 mph)
Gradeability	35° (70%)
Parking brake	Multi-wet disc

Controls

Pilot pressure operated joysticks and pedals with detachable levers provide almost effortless and fatigueless operation.

Pilot control	Two joysticks with one safety lever (IH): Arm swing, Boom swing (RH): Boom and bucket (ISO)
Traveling and steering	Two levers with pedals
Engine speed	Electric, dial type

Swing System

Swing motor	Axial piston motor
Swing reduction	Planetary gear reduction
Swing bearing lubrication	Grease-bathed
Swing brake	Multi wet disc
Swing speed	9.3 rpm

Coolant & Lubricant Capacity

	liter
fuel tank	125.0
Engine coolant	11.0
Engine oil	11.6
final drive (each)	1.2
Hydraulic tank	70.0
Hydraulic system	120.0

Under Carriage

X-leg type center frame is integrally welded with reinforced box-section track frames. The undercarriage includes lubricate rollers, track adjusters with shock absorbing springs and sprockets, and track chain with triple grouser shoes.

Center frame	X - leg type
Track frame	Pentagonal box type
No. of track shoe on each side	40
No. of carrier rollers on each side	1
No. of track rollers on each side	5

Operating Weight

operating weight, including 2,900 mm (9' 6") boom, 1,480 mm (4' 10") arm, SAE heaped 0.18 m³ (0.24 yd³) digging bucket, lubricant, coolant, full fuel tank, hydraulic tank and the standard equipment.

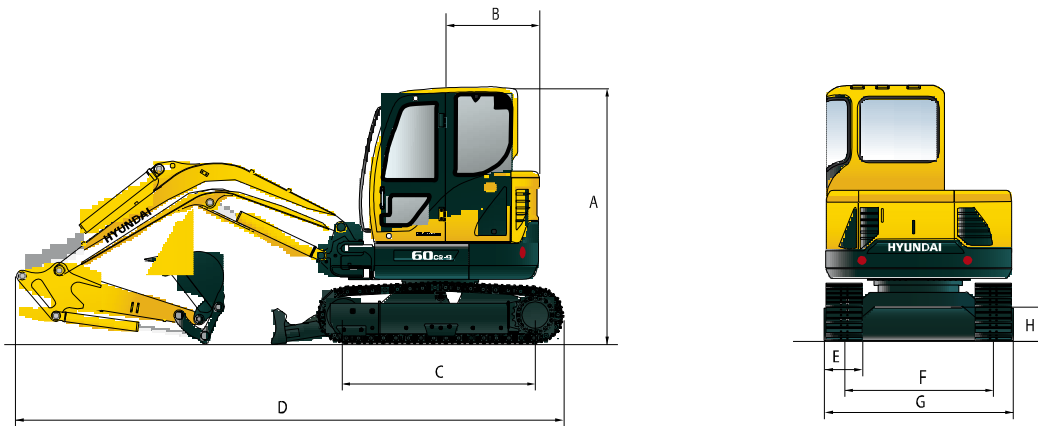
MAJOR COMPONENT WEIGHT	
upperstructure	2,900 kg (6,390 lb)
Counterweight	470 kg (1,030 lb)
Mono boom (with arm cylinder)	310 kg (680 lb)

OPERATING WEIGHT

operating weight	Steel tracks	5,900 kg (13,010 lb)
	Rubber tracks	5,800 kg (12,790 lb)
Ground Pressure	Steel tracks	0.36 kgf·m / cm ² (5.12 psi)
	Rubber tracks	0.34 kgf·m / cm ² (4.83 psi)

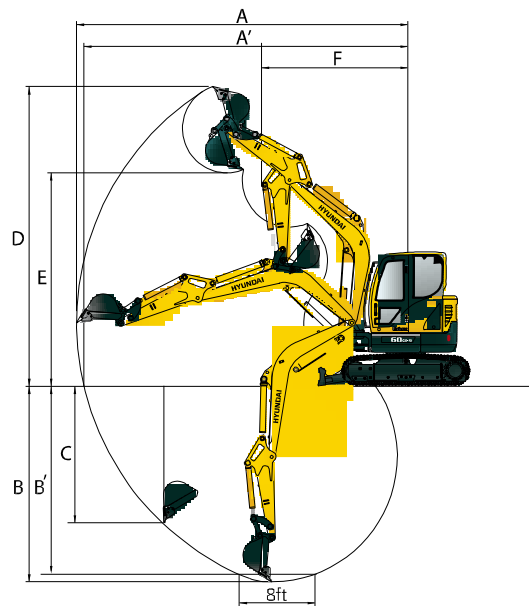
Dimensions & Working Ranges

R60CR-9 Dimensions



		mm (ft · in)	
A	overall height of cab	2,550 (8' 4")	
B	Tail swing radius	1,080 (3' 7")	
C	Tumbler distance	1,990 (6' 6")	
D	overall length	5,600 (18' 4")	
E	Track shoe width	Steel	380 (1' 3")
		Rubber	400 (1' 4")
F	Track gauge		1,600 (5' 3")
G	overall width		2,000 (6' 7")
H	Ground clearance		380 (1' 3")

R60CR-9 Working Range



		mm (ft · in)	
Boom length		2,900 (9' 6")	
Arm length		1,480 (4' 10")	1,900 (6' 3")
A	Max. digging reach	6,150 (20' 2")	6,480 (21' 3")
A'	Max. digging reach on ground level	6,010 (19' 9")	6,350 (20' 10")
B	Max. digging depth	3,570 (11' 9")	3,990 (13' 1")
B'	Max. digging depth (8° level)	3,160 (10' 5")	3,620 (11' 11")
C	Max. vertical wall digging depth	3,040 (9' 12")	3,360 (11' 0")
D	Max. digging height	5,680 (18' 8")	5,850 (19' 2")
E	Max. dumping height	3,930 (12' 11")	4,100 (13' 5")
F	Min. front swing radius	2,420 (7' 11")	2,510 (8' 3")