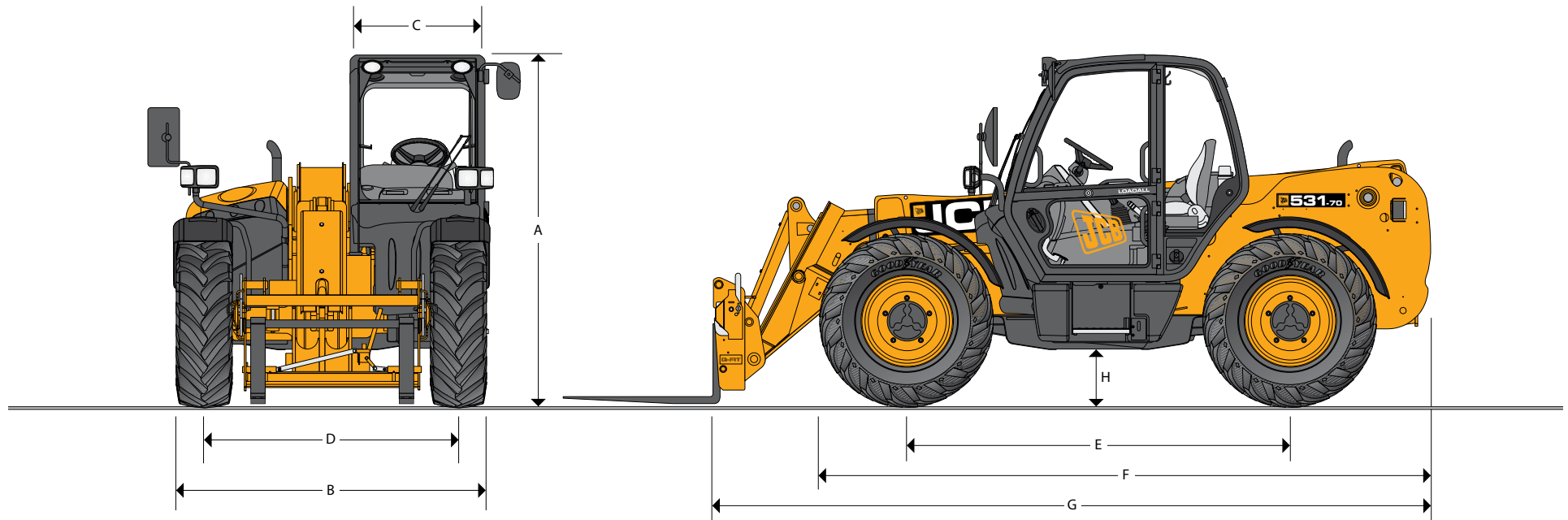


MAX. PAYLOAD: 3.1 tonnes (6834lb) MAX. LIFT HEIGHT: 7 metres (23ft)



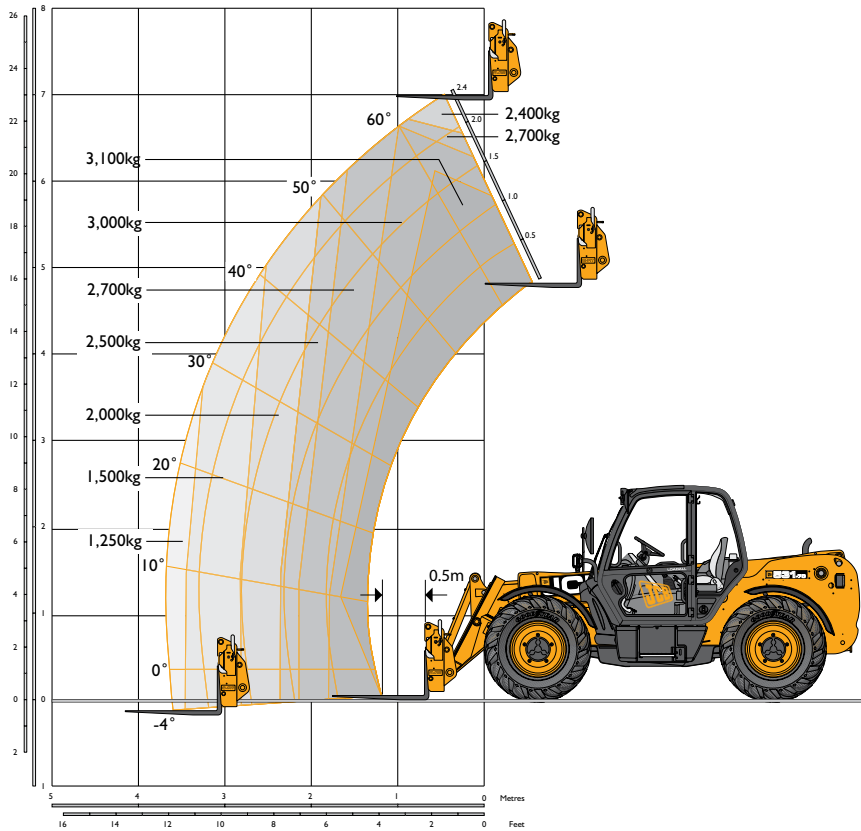
### STATIC DIMENSIONS

Machine model	531-70
	m (ft-in)
A Overall height	2.49 (8-2)
B Overall width (over tyres)*	2.23 (7-4)
C Inside width of cab	0.94 (3-1)
D Front track	1.81 (5-11)
E Wheelbase	2.75 (9-0)
F Overall length to front tyres	4.38 (14-4)
G Overall length to front carriage	4.99 (16-4)

Machine model	531-70
	m (ft-in)
H Ground clearance	0.40 (1-4)
Outside turn radius (over tyres)	3.7 (12-2)
Carriage roll back angle	degrees 42.6
Carriage dump angle	degrees 37.5
Weight – Fixed	kg (lb) 7060 (15560)
Tyres	15.5/80-24

\*Dependant upon tyre specified.

## LIFT PERFORMANCE – 531-70



## LIFT PERFORMANCE – 531-70

Machine Model		531-70
Maximum lift capacity	kg (lb)	3100 (6834)
Lift capacity to full height	kg (lb)	2400 (5291)
Lift capacity at full reach	kg (lb)	1250 (2756)
Lift height	m (ft-in)	7.0 (23-0)
Reach at maximum lift height	m (ft-in)	0.48 (1-7)
Maximum forward reach	m (ft-in)	3.7 (12-2)
Reach with 1 tonne load	m (ft-in)	3.7 (12-2)
Placing height	m (ft-in)	6.3 (20-8)

Complies with stability test EN 1459 Annex B.



WINCHESTER

01962 851155

SALISBURY

01722 341155

SOUTHAMPTON

02380 667666

**Suppliers of Plant & Access Hire Equipment**