

**MINI DUMPERS**


HD850    HD1000    HD1200

**Specification**

|                    |                      |
|--------------------|----------------------|
| Payload            | 850 / 1000 / 1200 kg |
| Gross Engine Power | 16.4 kW (22 hp)      |
| Max Skip Capacity  | 484 - 725 litres     |

**Features**

- Operating payloads from 850 to 1200 kg.
- 1.5m discharge height - can tip into standard skip.
- Narrow design enables machines to pass through a standard 1m doorway (HD850 and HD1000 only when fitted with optional narrow tyres).
- “Rental Tough” designs and fabrications to keep you working in tough conditions.
- Exceptional service access and ease of maintenance built into every machine.
- High ground clearance to cope with difficult ground conditions.
- Low centre of gravity for superb stability.
- Hydrostatic transmissions for additional hill-climbing power.



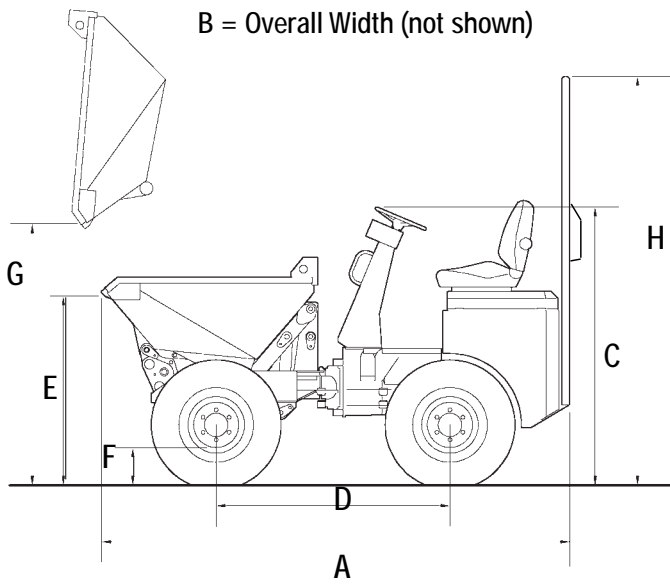
## Specifications

| Performance                 |                                   |                                   |              |
|-----------------------------|-----------------------------------|-----------------------------------|--------------|
|                             | HD850                             | HD1000                            | HD1200       |
| Payload (kg)                | 850                               | 1000                              | 1200         |
| Unladen Weight (kg)         | 1410                              | 1440                              | 1485         |
| Skip Capacity - Water (ltr) | 295                               | 338                               | 415          |
| - Struck (ltr)              | 391                               | 446                               | 548          |
| - Heaped (ltr)              | 484                               | 577                               | 725          |
| Engine                      | Kubota D905                       |                                   |              |
| Gross Power - kW (hp)       | 16.4 (22.0) @ 3000 RPM            |                                   |              |
| Tyre Size                   | 7.00 x 12 [10.0/75 x 15.3 (opt.)] | 7.00 x 12 [10.0/75 x 15.3 (opt.)] | 10.0/75x15.3 |
| Drive                       | Hydrostatic                       |                                   |              |
| Max Travel Speed (kph)      | 11.0                              | 11.0                              | 11.0         |

| Capacities     |           |           |           |
|----------------|-----------|-----------|-----------|
|                | HD850     | HD1000    | HD1200    |
| Fuel Tank      | 42 Litres | 42 Litres | 42 Litres |
| Hydraulic Tank | 27 Litres | 27 Litres | 27 Litres |

| Systems   |                     |        |        |
|-----------|---------------------|--------|--------|
|           | HD850               | HD1000 | HD1200 |
| Hydraulic | 24 l/min, 130 bar   |        |        |
| Braking   | Hydrostatic Dynamic |        |        |

Dimensions



| Dimensions (mm) |  | HD850       | HD1000      | HD1200 |
|-----------------|--|-------------|-------------|--------|
| A               | Total Length                             | 2959        | 2959        | 2959   |
| B               | Total Width                              | 998* / 1120 | 998* / 1120 | 1310   |
| C               | Height to Top of Steering Wheel          | 1745        | 1745        | 1745   |
| D               | Wheelbase                                | 1440        | 1440        | 1440   |
| E               | Height to Front Lip of Skip (lowered)    | 1175        | 1175        | 1175   |
| F               | Ground Clearance                         | 241         | 241         | 241    |
| G               | Height to Front Lip of Skip (discharged) | 1595        | 1595        | 1595   |
| H               | Height to Top of ROPS (raised)           | 2483        | 2483        | 2483   |

\* When fitted with narrow tyres.

## Standard Equipment & Options

| Standard Equipment                       | Optional Equipment                       |
|--|--|
| Folding ROPS frame                       | Site Lights                              |
| Reversing Alarm                          | Road Lights (RTA)                        |
| Beacon                                   | Rear View Mirror                         |
| 7.00 x 12 Tyres (HD850)                  | Grassland Tyres                          |
| 10.0/75 x 15.3 Tyres (HD1000 and HD1200) | Narrow Tyres (7.00 x 12 – HD1000 only)   |
|  | Wide Tyres (10.0/75 x 15.3 – HD850 only) |



WINCHESTER

01962 851155

SALISBURY

01722 341155

SOUTHAMPTON

02380 667666

**Suppliers of Plant & Access Hire Equipment**

Effective Date: 01 January 2008. Product specifications and prices are subject to change without notice or obligation. The photographs and/or drawings in this document are for illustrative purposes only. Refer to the appropriate Operator's Manual for instructions on the proper use of this equipment. Failure to follow the appropriate Operator's Manual when using our equipment or to otherwise act irresponsibly may result in serious injury or death. The only warranty applicable to our equipment is the standard written warranty applicable to the particular product and sale and Terex makes no other warranty, express or implied. Products and services listed may be trademarks, service marks or trade-names of Terex Corporation and/or its subsidiaries in the USA and other countries. All rights are reserved. Terex® is a registered trademark of Terex Corporation in the USA and many other countries. © 2010 Terex Corporation. ♻️ Printed on material using 55% recycled fibre from both pre and post-consumer sources, together with 45% virgin ECF fibre from sustainable forests. TEREX514UK

TEREX Construction  
 Central Boulevard, ProLogis Park, Coventry, England CV6 4BX  
 Tel +44 (0) 2476 339400 Fax +44 (0) 2476 339500  
 Email enquiries@terexce.com www.terex.co.uk

